

SFP+ Converter Module

PN L-6001-xCMSFP-1

DESCRIPTION

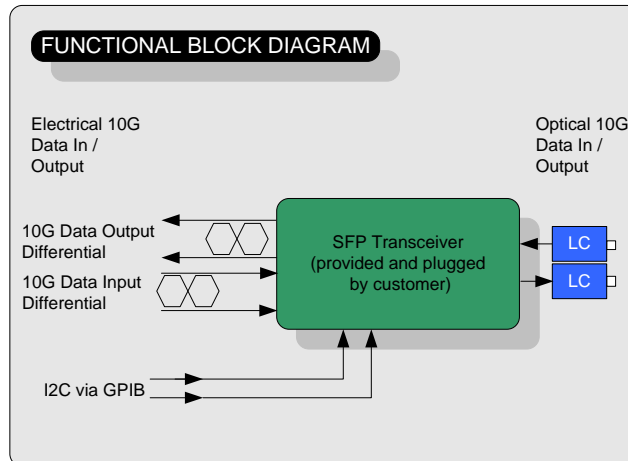
iCMSFP-1 is an SFP+ O/E, E/O converter module that plugs into the *XBERT* and *ParalleX™* chassis. iCMSFP-1 incorporates a standard SFP+ module slot, which gives the user great flexibility to provide & plug-in an SFP+ module which meets their testing requirements. All MSA voltages are supported for SFP+ modules to 3.5W. Monitor and control functions can be changed via an easy to use GUI, including serial bus access of the SFP+ module. An identical module in terms of performance is the eCMSFP. This external module can be connected via cable to the *X-BERT* mainframe, and is very useful for device testing during temperature cycling or burn-in, due to the relaxed cable length requirement between the converter module and DUT.

KEY FEATURES

- Plug-in for SFP+ Transceiver
- Differential 10G Data Input/Output
- Standard SFP+ module slot
- Supports SFP+ power level II modules up to 1.5W
- Monitor & control functions via GUI
- Serial Bus access of SFP+ via GUI
- LabView™ drivers available
- eCMSFP-1 connected via cable with X-BERT mainframe
- Small size: width 25.4mm (1") (iCMSFP-1)



SFP+ CONVERTER MODULE PN L-6001-iCMSFP-1



EXTERNAL CONVERTER MODULE PN L-6001-eCMSFP-1



XBERT PLATFORM: LETS YOU START SMALL AND GROW BIG



XBERT is a low-cost, modular Bit Error Rate Test Platform used for verification and test of 10Gb/s and above optical and electrical chip, sub assembly and system designs. *ParalleX™* allows users to perform several BER tests at once using a single clock source. The system is ideal for developers desiring to run simultaneous BER tests on parallel interfaces or multiple independent interfaces. *XBERT* and *ParalleX™* are scalable so users can start off with a single channel and add modules to grow the system. Manufacturers can realize great savings by taking advantage of the *XBERT* and *ParalleX™* system's scalability to perform parallel testing in volume production environments.

SFP+ Converter Module PN L-6001-xCMSFP-1

KEY PERFORMANCE PARAMETERS

The maximum number of SFP+ module connections/disconnections depends not only on the connector, but also on the SFP+ module used. This is approximately 200 connections before significant degradation occurs. The table below shows the limits of the SFP+ modules defined by the MSA.

PARAMETER	SYMBOL	MIN	MAX	UNIT	NOTE
Data Input signal channel P or N	Din P/N	90	350	mV	Note 1 Single ended
Data Output signal channel P or N	Dout P/N	150	425	mV	Single ended

Note 1 For use together with the E-BERT plug-in module, the output level of the E-BERT plug-in must be reduced to achieve the specified limits given above.